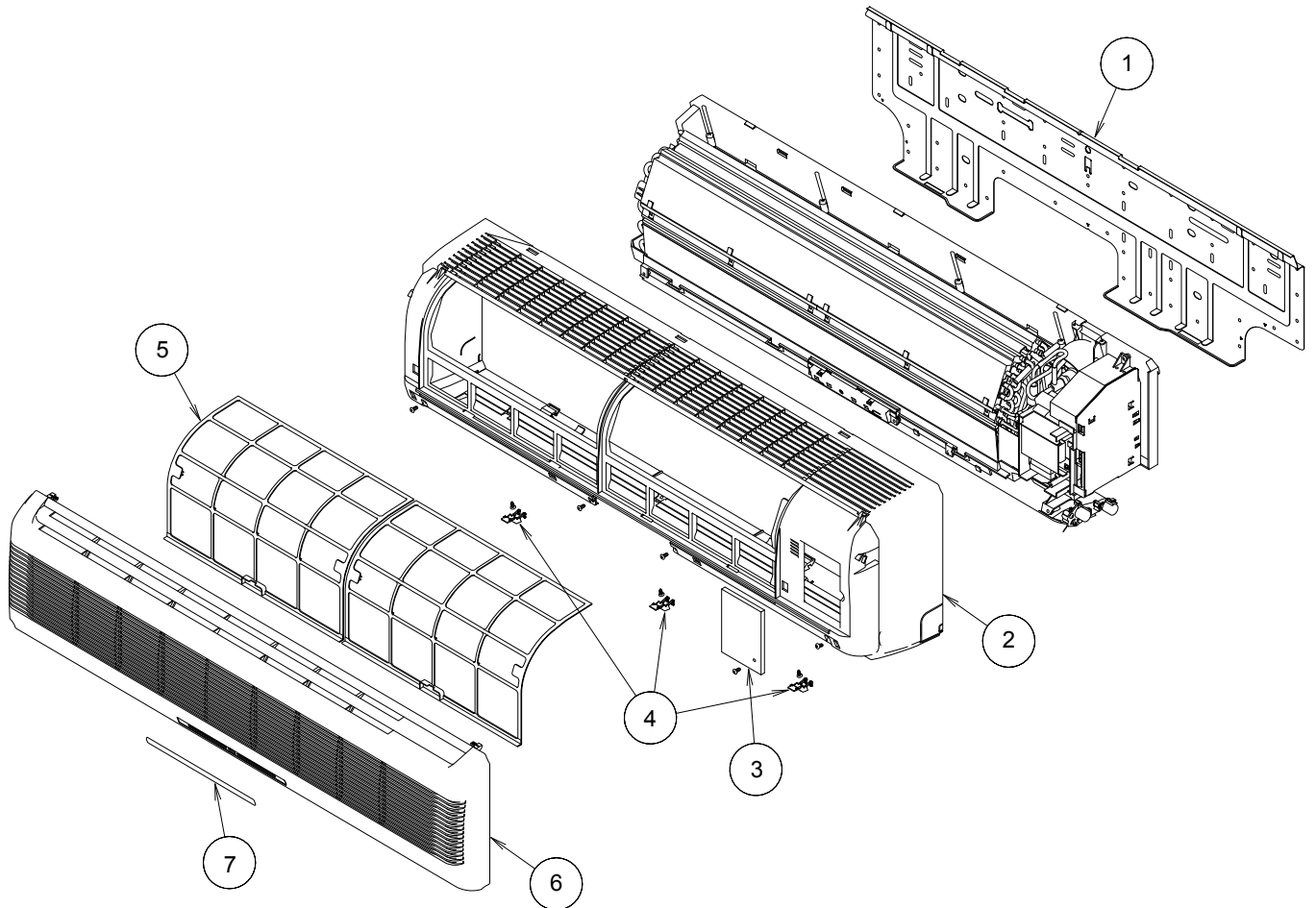
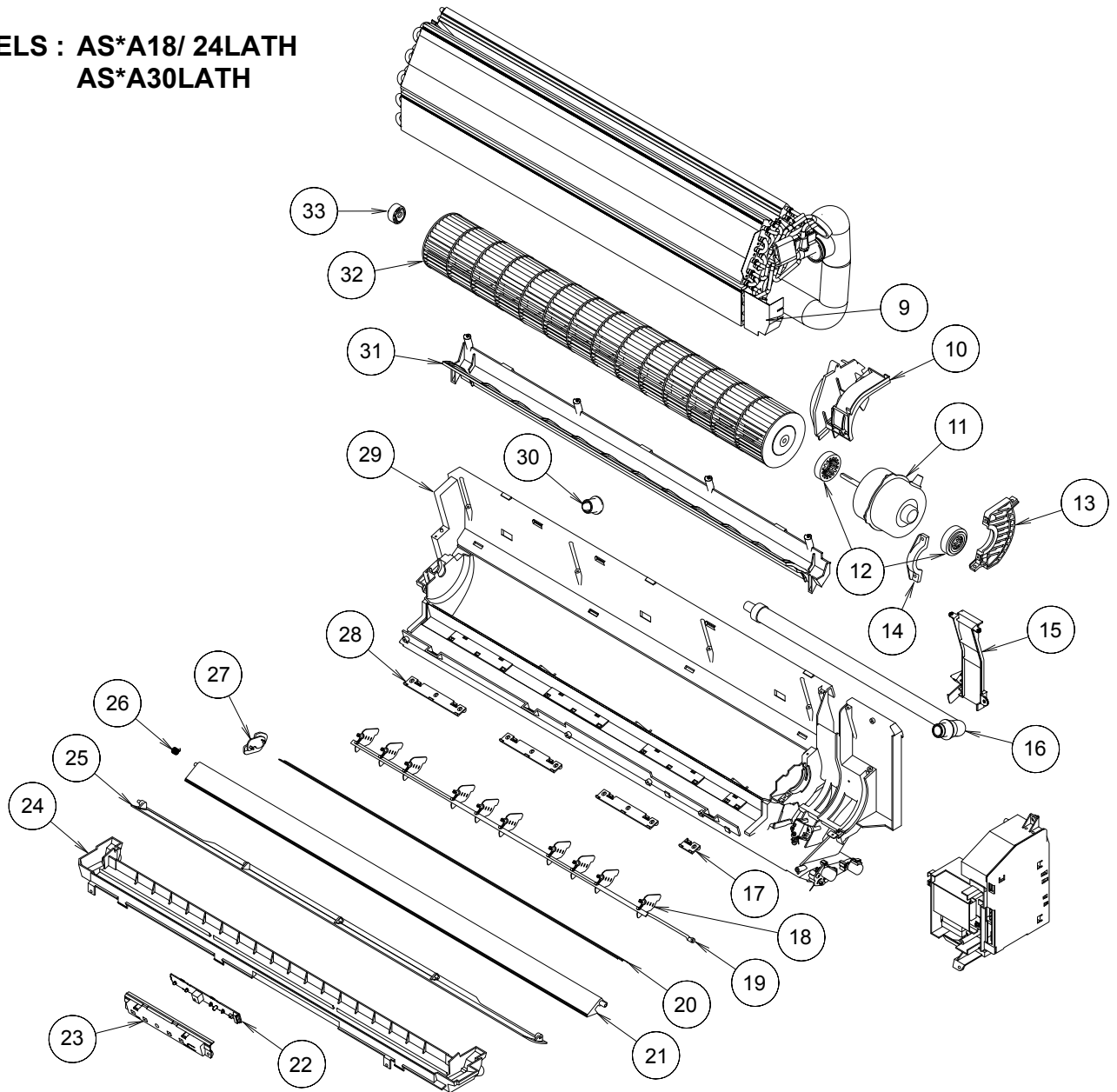


MODELS : AS*A18/ 24/ 30LATH



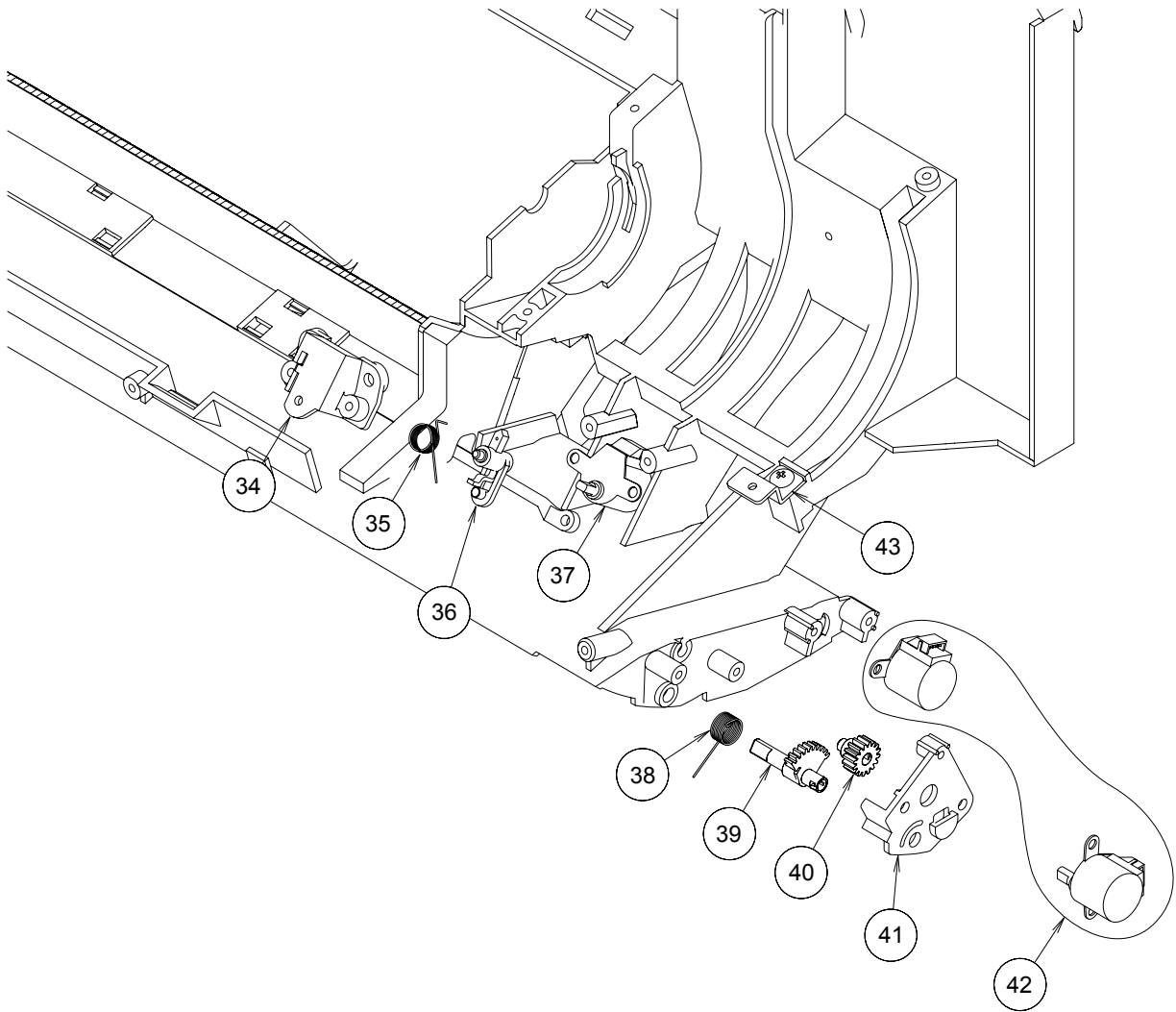
Ref No.	Description	Parts No.			Q'ty
		AS*A18LATH	AS*A24LATH	AS*A30LATH	
1	FIXING PLATE	9368579005	9368579005	9368579005	
2	FRONT PANEL	9368540029	9368540029	9368540029	
3	CONTROL BOX COVER	9368611002	9368611002	9368611002	
4	SCREW COVER	9368576028	9368576028	9368576028	
5	AIR FILTER	9373613015	9373613015	9373613015	
6	INTAKE GRILLE F	9368541156	9368541156	9368541156	
7	DISPLAY F	9368757014	9368757014	9368757014	

**MODELS : AS*A18/ 24LATH
AS*A30LATH**



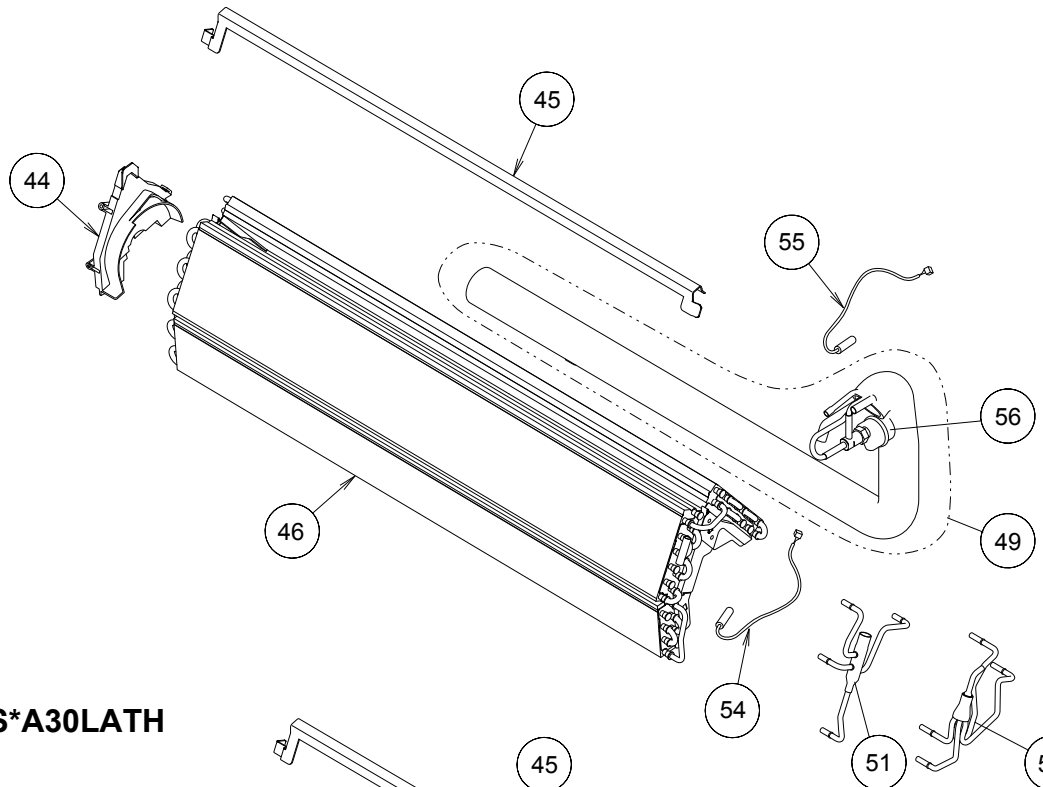
Ref No.	Description	Parts No.			Q'ty
		AS*A18LATH	AS*A24LATH	AS*A30LATH	
9	WATER SEAL PLATE	9369684005	9369684005	9369684005	
10	KIT(EVA SUP R SA)	9371167039	9371167039	9371167039	
11	MOTOR INDUCTION	9601388012	9601388012	9601388012	
12	RUBBER (MOTOR)	9368575007	9368575007	9368575007	
13	MOTOR HOLDER A	9368550004	9368550004	9368550004	
14	MOTOR HOLDER B	9368551001	9368551001	9368551001	
15	KIT (PIPE HLD SA)	9371168012	9371168012	9371168012	
16	KIT (DRAIN HOSE)	9370933017	9370933017	9370933017	
17	LOUVER BASE B	9368559014	9368559014	9368559014	
18	LOUVER	9368560010	9368560010	9368560010	
19	LOUVER ROD	9368561017	9368561017	9368561017	
20	FAN GUARD	9368588007	9368588007	9368588007	
21	DIFFUSER SUB ASSY	9369346026	9369346026	9369346026	
22	DISPLAY PCB	9705801035	9705801035	9705801035	
23	DISPLAY COVER	9368564001	9368564001	9368564001	
24	KIT (FRONT DRAIN PAN)	9370932010	9370932010	9370932010	
25	KIT (FLAP SA)	9371169033	9371169033	9371169033	
26	DIFFUSER SPRING	9368587000	9368587000	9368587000	
27	KIT (FAN GRD HLD SA)	9371164014	9371164014	9371164014	
28	LOUVER BASE A	9368558017	9368558017	9368558017	
29	BASE ASSY	9369209017	9369209017	9369209017	
30	DRAIN CAP	9367677009	9367677009	9367677009	
31	REAR DRAIN PAN SA	9369201028	9369201028	9369201028	
32	CROSS FLOW FAN ASSY	9368586003	9368586003	9368586003	
33	BEARING ASSY	9368574000	9368574000	9368574000	

MODELS : AS*A18/ 24/ 30LATH

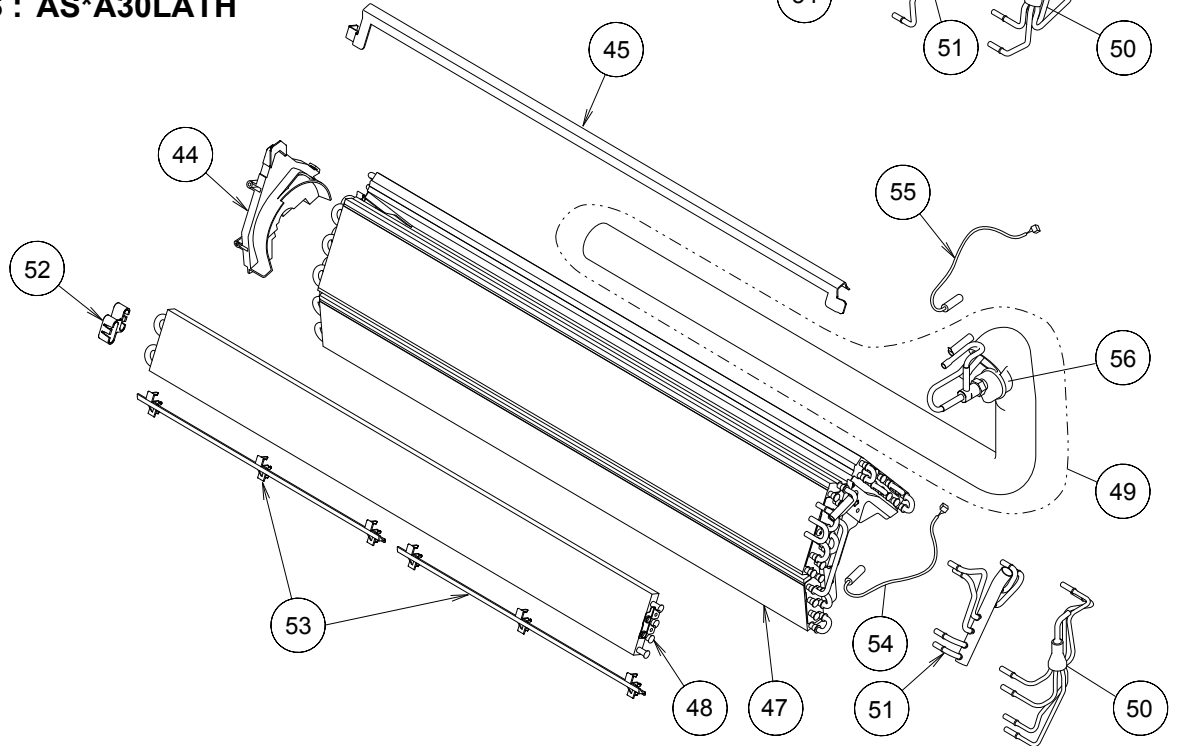


Ref No.	Description	Parts No.			Q'ty
		AS*A18LATH	AS*A24LATH	AS*A30LATH	
34	LINK HOLDER	9368563004	9368563004	9368563004	
35	LOUVER SPRING	9368613006	9368613006	9368613006	
36	LOUVER LINK	9368562007	9368562007	9368562007	
37	MOTOR STEP	9900139032	9900139032	9900139032	
38	FLAP SPRING	9368612009	9368612009	9368612009	
39	SECTOR GEAR	9368556006	9368556006	9368556006	
40	PINION GEAR	9368557003	9368557003	9368557003	
41	MOTOR BASE	9368555009	9368555009	9368555009	
42	MOTOR STEP	9900139049	9900139049	9900139049	
43	MOTOR HOLDER C	9368769000	9368769000	9368769000	

MODELS : AS*A18/ 24LATH

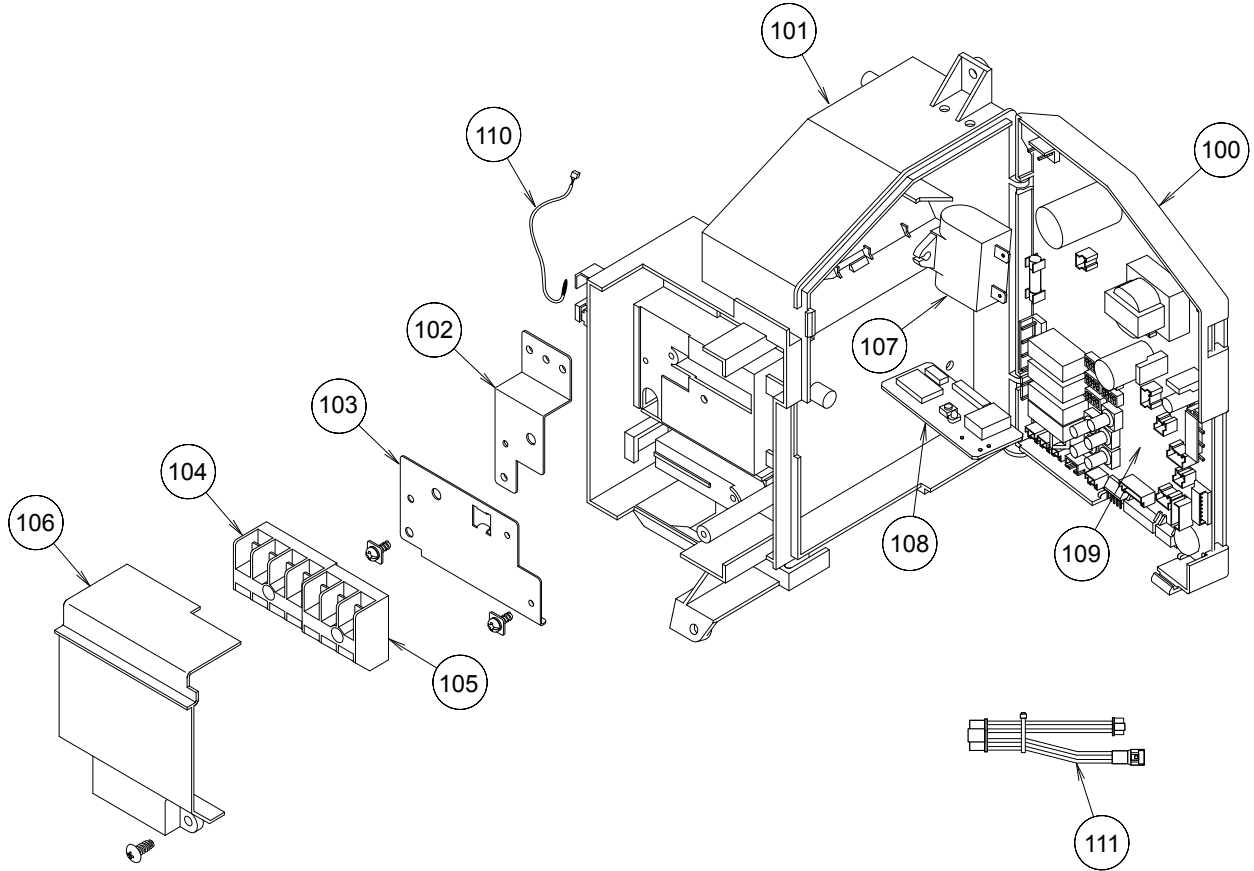


MODELS : AS*A30LATH





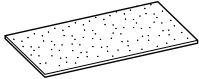
Ref No.	Description	Parts No.			Q'ty
		AS*A18LATH	AS*A24LATH	AS*A30LATH	
44	KIT (EVA SUP L SA)	9371165011	9371165011	9371165011	
45	KIT(EVA BRKT SA)	9371166018	9371166018	9371166018	
46	EVAPORATOR TOTAL ASSY	9369202292	9369202292	-	
-	EVAPORATOR ASSY	9372102015	9372102015	-	
47	EVAPORATOR TOTAL ASSY	-	-	9369202308	
-	EVAPORATOR A ASSY	-	-	9371347011	
48	EVAPORATOR B ASSY	-	-	9371348018	
49	JOINT PIPE ASSY	9373768111	9373768111	9373768128	
50	DISTRIBUTOR ASSY	9371041001	9371041001	9371325392	
51	COUPLING PIPE ASSY	9369241000	9369241000	9371333014	
52	EVA HOLDER	-	-	9368775001	
53	WATER PLATE	-	-	9368569006	
54	THERMISTOR (PIPE-OUT)	9900498016	9900498016	9900498016	
55	THERMISTOR (PIPE-IN)	9900509026	9900509026	9900509026	
56	EXPANSION VALVE	9970085031	9970085031	9970085031	

MODELS : AS*A18/ 24/ 30LATH



Ref No.	Description	Parts No.			Q'ty
		AS*A18LATH	AS*A24LATH	AS*A30LATH	
100	CONTROL BOX COVER R	9369631009	9369631009	9369631009	
101	CONTROL BOX	9368543006	9368543006	9368543006	
102	EARTH PLATE	9368580001	9368580001	9368580001	
103	TERMINAL PLATE	9374875016	9374875016	9374875016	
104	TERMINAL 4P	9306488086	9306488086	9306488086	
105	TERMINAL 3P	9703345029	9703345029	9703345029	
106	CORD HOLDER	9368566005	9368566005	9368566005	
107	CAPACITOR (FAN MOTOR)	9704305060	9704305060	9704305060	
108	COMMUNICATION PCB	9707774016	9707774016	9707774016	
109	CONTROLLER PCB	9707896015	9707896015	9707896015	
110	THERMISTOR (ROOM)	9900541002	9900541002	9900541002	
111	THERMISTOR CONNECTION WIRE	9707854022	9707854022	9707854022	
-	FUSE 250V 3.15A	0600222512	0600222512	0600222512	
-	FUSE HOLDER	0500158072	0500158072	0500158072	

MODELS : AS*A18/ 24/ 30LATH

Name and Shape	Q'ty	Application	Parts No.		
			AS*A18LATH	AS*A24LATH	AS*A30LATH
Manual (Operation) 	1		9371056036	9371056036	9371056036
Manual (Installation) 	1		9371057033	9371057033	9371057033
Drain hose insulation 	1	For indoor unit installation	9361756007	9361756007	9361756007