

OPTIONAL PART

WLAN Adapter

DESIGN & TECHNICAL MANUAL

WLAN ADAPTER



UTY-TFSXJ3
UTY-TFSXJ4

FUJITSU GENERAL LIMITED

Notices:

- Product specifications and design are subject to change without notice for future improvement.
- For further details, please check with our authorized dealer.

Trademarks

“AIRSTAGE Mobile” is a trademark of FUJITSU GENERAL LIMITED.

Google Play™ is trademark of Google LLC.

App Store® is a service mark of Apple Inc., registered in the U.S. and other countries.

CONTENTS

WLAN ADAPTER	1
1. Model lineup	2
1-1. Applicable indoor units	2
2. Overview	3
2-1. Wireless LAN control	4
3. Specifications	7
3-1. WLAN Adapter	7
4. Wiring design	8
4-1. System diagram	8
5. Installation	10
5-1. Precautions	10
5-2. Installation procedure	11
6. Initial setup	12
6-1. AIRSTAGE Mobile	12
6-2. AIRSTAGE Edge Controller	12
7. Accessories	13

WLAN ADAPTER

MODEL NAME:

UTY-TFSXJ3

UTY-TFSXJ4

1. Model lineup

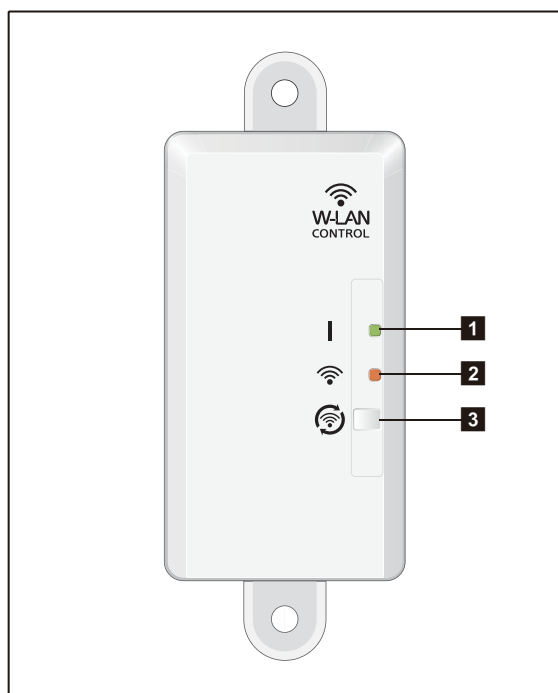


Model name	Region or country
UTY-TFSXJ3	Other than the following countries U.S.A. Canada
UTY-TFSXJ4	U.S.A. and Canada

1-1. Applicable indoor units

For applicable indoor units, refer to the product catalogue posted on Support page of the web site.
<https://www.fujitsu-general.com/global/support/>

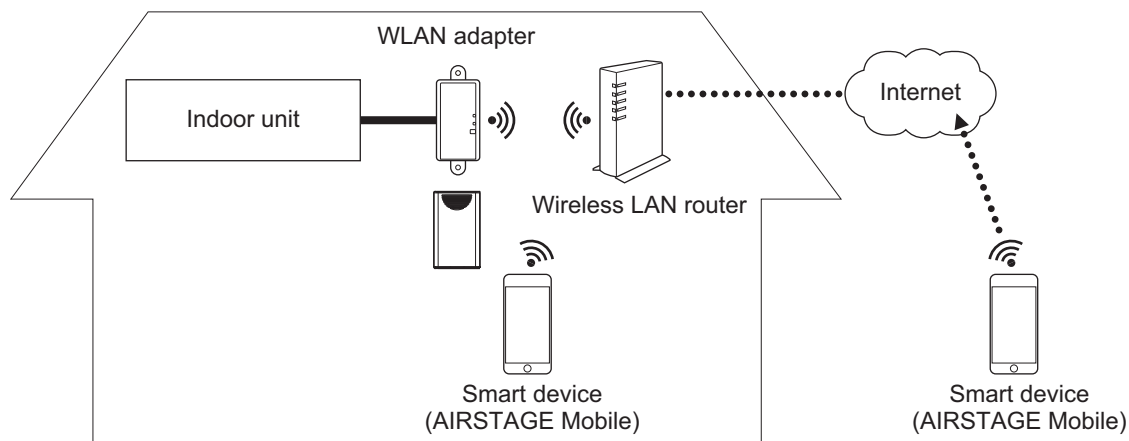
2. Overview



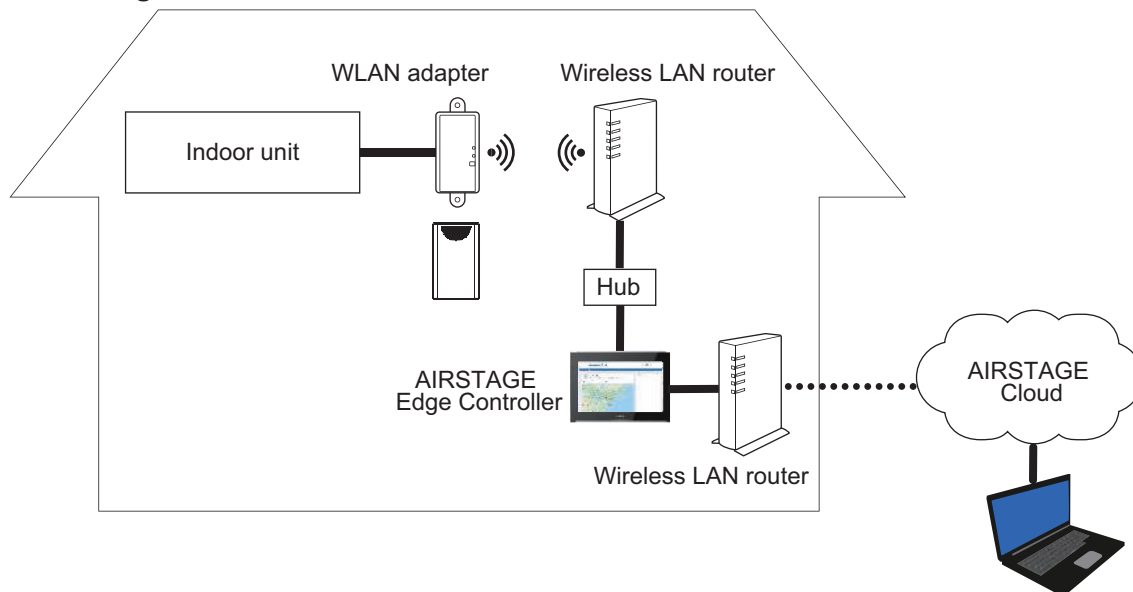
- 1 LED 1 (green)**
Operation status indicator.
- 2 LED 2 (orange)**
Wireless LAN status indicator.
- 3 Setting button**
Used for connecting to wireless router.

Schematic diagram

• AIRSTAGE Mobile:



• AIRSTAGE Edge Controller:



2-1. Wireless LAN control

By installing AIRSTAGE Mobile on a smart device, several functions can be controlled from outside the house.

⚠ CAUTION

To prevent personal injury, property damage, or product malfunction, read the setting manual attached with the product carefully, and be sure to comply with the safety and usage precautions.

■ Easy setup by mobile application

Initial setup can be done by using AIRSTAGE Mobile.

Refer to the setting manual attached with the product for information on the initial setup, operating tips, and troubleshooting.

■ System requirement

• AIRSTAGE Mobile (mobile application)

Before using this application, prepare the following items:

– Wireless router:

Wireless LAN standard	IEEE802.11b/g/n
Frequency bands*	<ul style="list-style-type: none"> • U.S.A., Canada: 2.4 GHz (1ch—11ch) • Other countries: 2.4 GHz (1ch—13ch)
Network security standard	<ul style="list-style-type: none"> • Open • WEP • WPA (PSK) • WPA2 Personal (PSK) • WPS for same-LAN registration

*: Usable only in the country or region where you purchased the product.

To check whether your wireless router complies with the network security standards listed above, refer to the operation manual.

– Smartphone:

App-compliant operating system	iOS	Check the latest version of supported OS at Google Play store or App Store.
	Android	

– User registration:

Mobile app is available on Google Play store or on App Store.

After installation of mobile app, user registration is required. For user registration and setup information, refer to *SETTING MANUAL* attached with the product.

- **AIRSTAGE Edge Controller**

Before using this controller, prepare the following items:

- **Wireless router:**

Wireless LAN standard	IEEE802.11b/g/n
Frequency bands*	<ul style="list-style-type: none"> • U.S.A., Canada: 2.4 GHz (1ch—11ch) • Other countries: 2.4 GHz (1ch—13ch)
Network security standard	<ul style="list-style-type: none"> • Open • WEP • WPA (PSK) • WPA2 Personal (PSK) • WPS for same-LAN registration

*: Usable only in the country or region where you purchased the product.

To check whether your wireless router complies with the network security standards listed above, refer to the operation manual.

- **User registration:**

For user registration and setup information, refer to the manual attached with AIRSTAGE Edge Controller.

NOTE: Combination use of AIRSTAGE Mobile and AIRSTAGE Edge Controller is prohibited.

■ Wireless LAN function list

NOTE: To use Wireless LAN control, user registration in advance and access to the wireless home network are required.

Item		Mobile app	AIRSTAGE Edge Controller	
Air conditioning control function	Operation on/off	○	○	
	Operation mode setting	○	○	
	Set temperature setting	○	○	
	Fan speed setting	○	○	
	Airflow direction setting	Louver position adjustment (vertical/horizontal)	○*1	○*1
		Swing (vertical/horizontal)	○*1	○*1
	Timer setting	Weekly timer*2	○	—
Additional function	operation setting	○*1	—	
	ECONOMY operation setting	○	○	
	Human sensor for energy saving setting	○*1	○*1	
	Energy saving fan setting	○	—	
	Outdoor unit low noise operation setting	○	—	
	POWERFUL operation setting	○*1	—	
	Room temperature indicator*3	○	○	
	Remote controller prohibition (Lockout)	—	○	

○: Available, —: Not available

*1: Different by the indoor unit function.

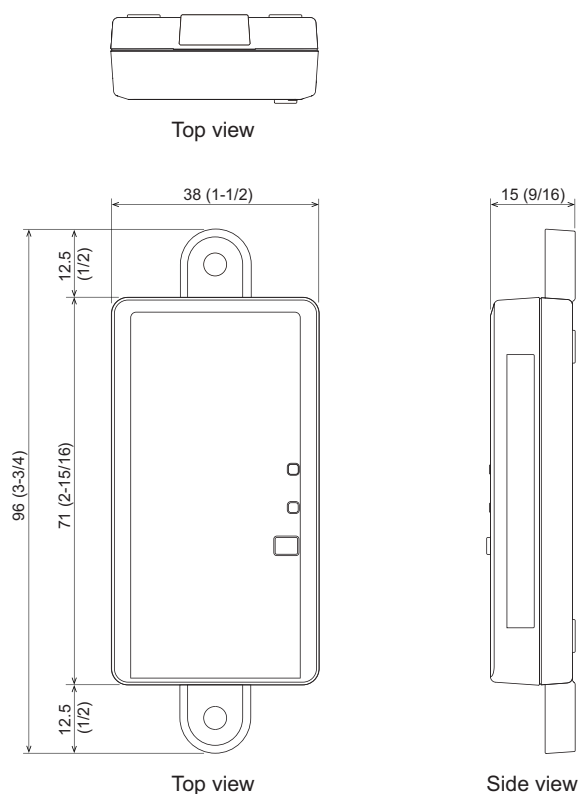
*2: Weekly timer of wireless remote controller/wired remote controller and mobile application each have different settings. If timer settings are done from mobile application and from wireless remote controller/wired remote controller, both timer settings will be active.

*3: For using this function in VRF system, wired remote controller (2-wire) needs to be connected to the indoor unit, and the room temperature sensor on the wired remote controller should be enabled.

3. Specifications

3-1. WLAN Adapter

Unit: mm (in)

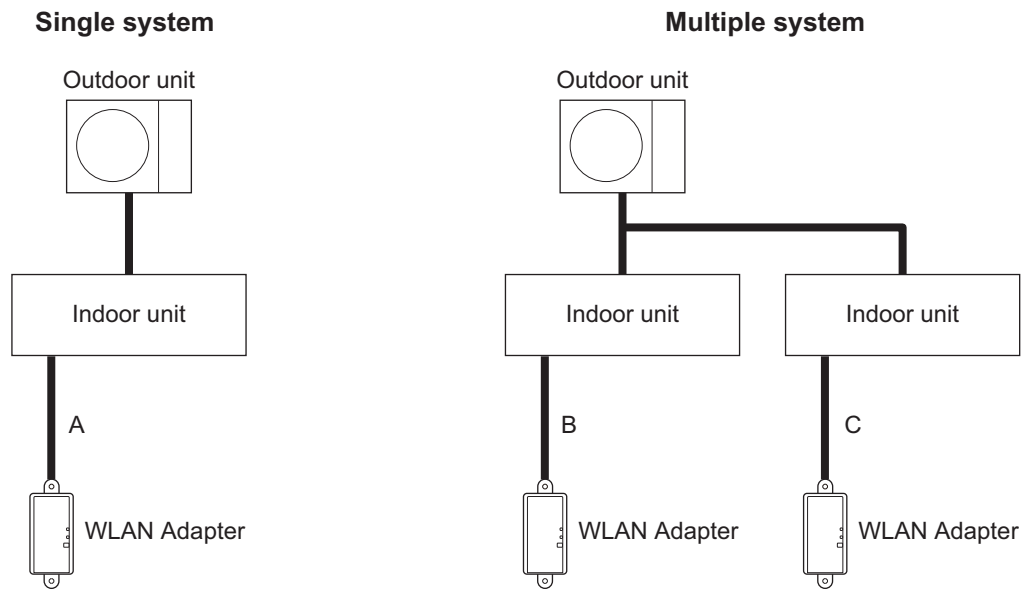


Item		Unit	Specification
Maximum radio-frequency power		mW	40
Dimensions (H × W × D)	Net	mm	71 × 38 × 15
		in	2-15/16 × 1-1/2 × 9/16
	Gross	mm	209 × 52 × 140.5
		in	8-1/4 × 2-1/16 × 5-9/16
Weight	Net	g (oz)	90.6 (3.2) (with cable)
	Gross		229.0 (8.1)
Operating temperature range		°C (°F)	0 to 46 (32 to 114.8)

4. Wiring design

4-1. System diagram

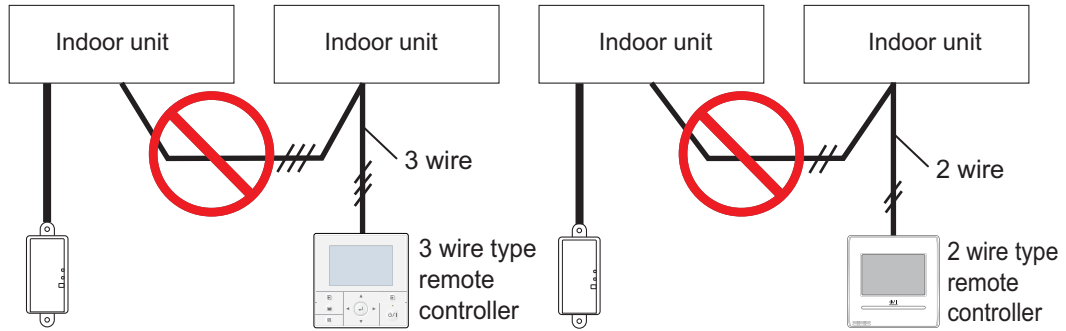
One WLAN Adapter can be connected to each indoor unit.



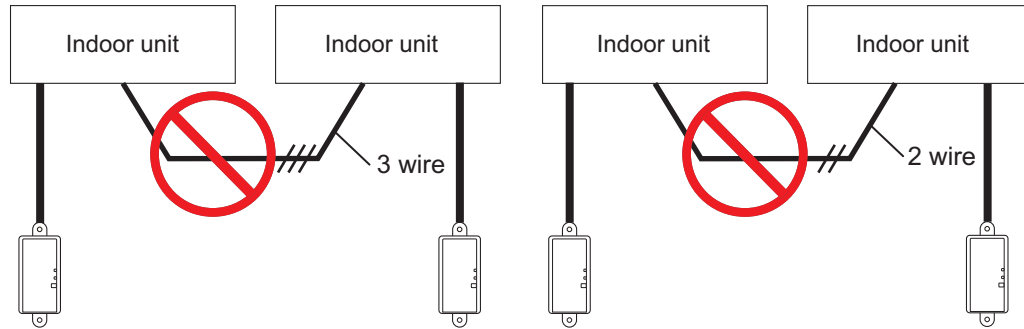
A, B, and C: Attached cable with this product.

Prohibited uses:

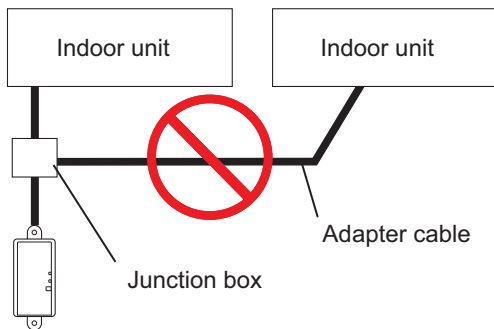
(1) Group connection of indoor units with wired remote controller



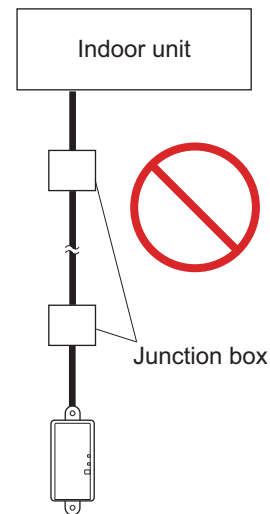
(2) Group connection of indoor units



(3) Group connection of indoor units with WLAN Adapter cable.



(4) Extended wiring
Extending the cable is prohibited.



5. Installation

⚠ CAUTION

To prevent personal injury, property damage, or product malfunction, read the setting manual attached with the product carefully, and be sure to comply with the safety precautions.

5-1. Precautions

⚠ CAUTION

- Do not bundle the WLAN Adapter wiring with the connection cable running between the indoor and outdoor units, or the power supply cable.
- Install the WLAN Adapter near the wireless router. (The connection will become unstable if it is placed further away, which will make using the system more difficult.)
- Install the WLAN Adapter between the indoor unit and the wireless LAN router.
- Certain types of wall materials may shut out the wireless communications.
- Do not touch the indoor unit heat exchanger.
- During installation or removal, do not to have the wire caught by any parts nor pull it hard. It may result in malfunction of the air conditioner.
- Do not install this product in following places. Otherwise, radio communication may be interfered.
 - Places exposed to direct sunlight
 - Places subject to extremely high and low temperatures, such as near the outlet port of the air conditioner main body
 - Near the air conditioner air inlet or outlet
 - Places with high humidity
 - Places near moving parts of the air conditioner main body
 - Places near bottom of the air conditioner main body
 - Inside or on the side of the air conditioner main body
 - Near microwave ovens
 - Within 1 m (40 in) of a TV or radio
 - Places in the reach of children
 - Near automatic control devices such as automatic door sensors or fire detectors
 - Places with oil, vapor or flammable gases
 - Near medical equipment, pacemakers, defibrillators or other devices
 - Places where the WLAN Adapter could get wet, such as in the bathroom
 - Places where the WLAN Adapter is difficult to access for maintenance
- Do not run the WLAN Adapter cable or LAN cable on the floor. You may trip on the cables.
- Install this product in a place where the switches and buttons can be operated and where the indicator lamps can be confirmed. (In the areas as shown below.)

5-2. Installation procedure

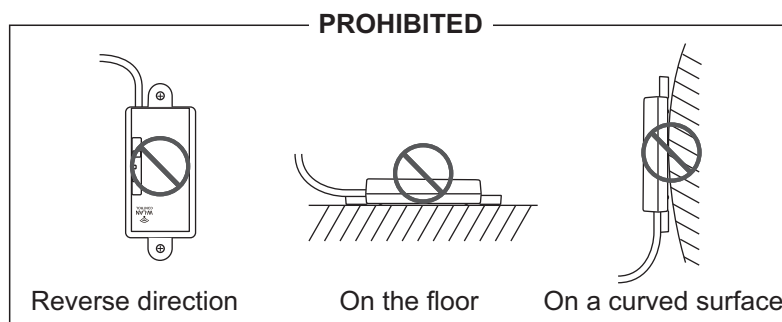
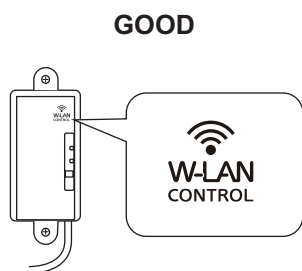
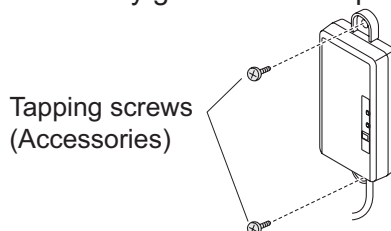
⚠ WARNING

- Disconnect the power supply or turn off the breaker before starting work. Failure to disconnect the power supply may lead to electric shock or fire.
- Do not turn on the power until all installation work is complete.
- Use the accessories or specified connection cables:
 - Do not modify connection cables other than those specified.
 - Do not use extension cords.
 - Do not use independent branch wiring. The allowable current will be exceeded and cause electric shock or fire.
- When installing this product, make sure that there are no children nearby. Otherwise, injury or electric shock could result.

⚠ CAUTION

- Discharge static electricity on your body before starting work. If static electricity is not discharged, there is a risk that the circuit board components may be damaged.
- When performing wiring work, be careful not to damage the cable or injure yourself. Also, connect the connectors securely. Loose connectors will cause trouble, heating, fire, or electric shock.
- Perform wiring so that water does not enter this unit along the external wiring. Always install a trap to the wiring or take other countermeasures. Otherwise, it will cause trouble or electric shock or fire.
- Do not touch the circuit board and circuit board parts directly with your hands. Otherwise, injury or electric shock could result.

1. With referring the setting manual, perform wire connection.
2. Install the WLAN Adapter in the direction as shown in this figure. If the WLAN Adapter is installed in the wrong direction, water may get into the adapter through the wire, causing failure.



After WLAN Adapter installation is completed, perform appropriate function setting according to the installation environment with referring the *SETTING MANUAL* of this product and the *INSTALLATION MANUAL* of the indoor unit.

6. Initial setup

NOTE: The combination use of AIRSTAGE Mobile and AIRSTAGE Edge Controller is prohibited. When switching the applications to be used, initialize the WLAN Adapter setting.






6-1. AIRSTAGE Mobile

1. Visit Google Play store or App Store according to the type of connecting smart device.
2. Search for AIRSTAGE Mobile in the store.
3. Install the app by following the on-screen instructions.
4. After completing AIRSTAGE Mobile installation on your smart device, open the app and perform user registration by following the instructions.
5. Register the air conditioner according to the instruction on the app.

6-2. AIRSTAGE Edge Controller

For details of the setting procedure, refer to the *ONLINE MANUAL* attached to the AIRSTAGE Edge Controller.

7. Accessories

Part name	Exterior	Qty	Part name	Exterior	Qty
Setting manual		1	Tapping screw M4 × 25 mm		2
ONLINE MANUALS and WEB APP sheet		1	EMI core*2		1
Adapter information label (attached to the WLAN Adapter with tape)*1		1			

NOTES:

- *1: Do not discard the label because it contains the WLAN Adapter setting information.
- *2: It may not be used depending on the air conditioner. For details on the usage in the installation procedure, refer to the *INSTALLATION MANUAL* for the indoor unit.